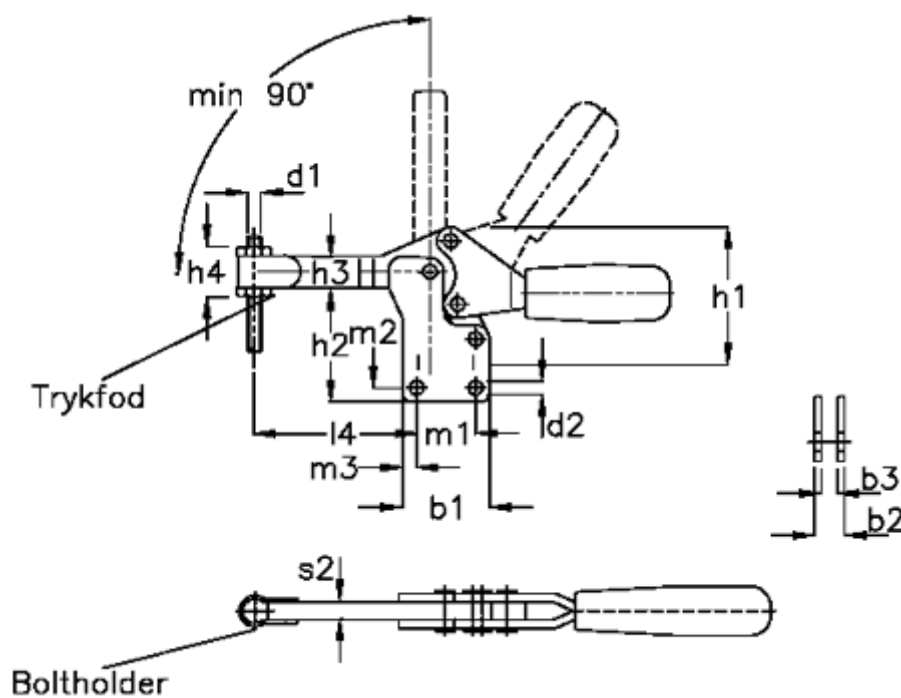


Article number: 2013561061

Description: E+G Klee horizontal clamp, st. steel
GN 820.1-230-P-NI

Measures



$b1 = 44$	Holding force N = 1600	$s = 6$
$b2 = 12$	$l1 = 196$	Size = 230
$b3 = 6$	$l2 = 109$	
$d1 = M8$	$l4 = 78$	
$d2 = 6.5$	$m1 = 26.0$	
$h1 = 75.0$	$m2 = 6.8$	
$h2 = 50.0$	$m3 = 9.0$	
$h3 = 18$	$r = 72.0$	